



CAUTION

Before use, thoroughly read MAXAIR® CAPR® P/N 03521015 User Instruction (received with all CAPR Helmets and available at www.maxair-systems.com>SUPPORT>USER INSTRUCTION MANUALS.



REF 2000-204
(6/box)

Intended Use

The MAXAIR 2000-206 Mounting Hooks are intended to be attached to a verticle surface so that MAXAIR Helmets may be hunded on them when not in use.

Specifications

Material

Recommended System Temperature Limits

Use/Handling: 0°C to 54°C at a maximum 80% Relative Humidity.
Charging: 0°C to 45°C at a maximum 80% Relative Humidity.
Storage: 0°C to 35°C at a maximum 80% Relative Humidity.

Regulatory

N/A

Symbol Definitions



Warning, Caution, or Note



Catalog Number



Part Number



WARNING

Failure to follow User Instructions P/N 03521015 and the instructions contained herein may be hazardous to the user's health.

Use only if package is received unopened and contents are undamaged. If damage is noted, contact the shipper for replacement or repair.

Prior to using any MAXAIR® System or component, be sure to be familiar with the system's NIOSH approved configuration.

DO NOT use if any component is damaged. If any components are damaged or contaminated and therefore unfit for safe and effective use, they should be replaced immediately.

Only trained and experienced personnel who have read and understand the User Instructions should use MAXAIR Products.

The institution using this product in any application is responsible for determining the appropriateness of this equipment relative to regulatory requirements. Bio-Medical Devices Intl, Inc. does not recommend the appropriate systems for a particular institution or facility.

Use only MAXAIR Systems/ NIOSH approved compatible components.

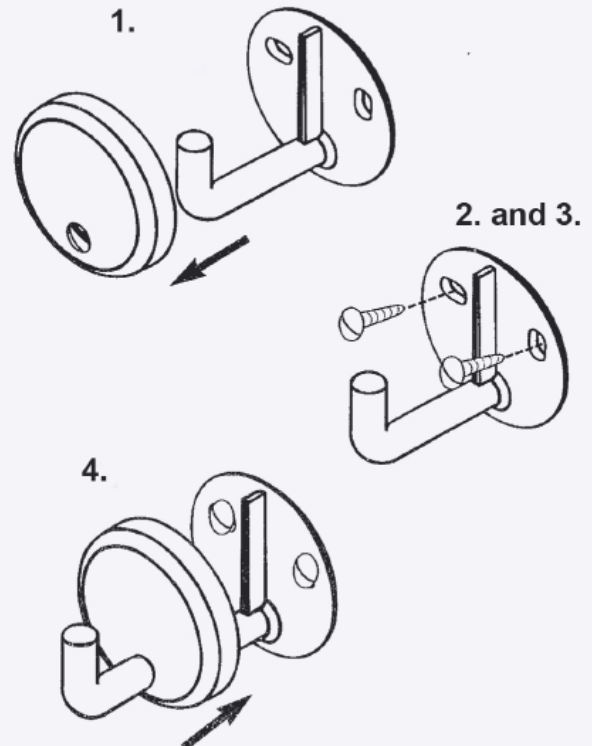
NOT for use in atmospheres immediately dangerous to life or health (IDLH), and atmospheres containing less than 19.5% oxygen, or more than 25% oxygen.

Flammability Level I: fabric may burn if exposed to open flame.

Follow current local regulations governing biohazard waste to safely dispose of single use MAXAIR Products.

If you need more information, contact your BMDI Sales Representative, or call BMDI customer service at 1-800-443-3842.

Mounting Instructions



MOUNTING INSTRUCTIONS

- 1) Slide mounting bracket cover off of hook.
- 2) Place mounting bracket in desired location and mark screw holes.
- 3) Mount in solid wood using screws. Other surfaces may require different mounting systems.
- 4) Slide cover onto mounted bracket and snap together.

